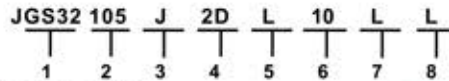




订购基本规格

EXAMPLE: JGS32 1.0uF ±5% 200VDC Lead Space:10.0mm



1. TYPE OF CAPACITOR (电容型号): Expressed in 4-letter code

TYPE	JGS33	JGS34	JGS32	JGS35	JGS36	JGS37	JGS31	JGS30	JGS11	JGS13	JGS51	JGS52	JGS82	JGS84
CODE	CL21X	CL21XB	CL21	CL21B	CL19	CL20	CL11	CH11	QC	QB	CBB81	CBB81-B	CBB81-H	CBB81-HH
TYPE	JGS43	JGS42	JGS47	JGS48	JGS41	JGS71	JGS72	JGS73	JGS70	JGS45	JGS46	JGS60	JGS61	
CODE	CBB21	CBB13	CBB19	CBB20	CBB11	X1	X2	X2Y2	RC	CBB21X-B	CBB21-B	CBB60	CBB61	

2. CAPACITANCE(EIACode): Expressed in 3-digit code

The first 2 digits indicate significant figures, and the third digit specifies the number of zero to follow. This gives the capacitance in picofarads. For examples: 102 = 1,000pF = 1.0nF = 0.001uF      103 = 10,000pF = 10nF = 0.01uF  
104 = 100,000pF = 100nF = 0.1uF      105 = 1,000,000pF = 1,000nF = 1.0uF      106 = 10,000,000pF = 10,000nF = 10uF

3. TOLERANCE(EIACode): Expressed in 1-letter code

TOLERANCE	± 1%	± 2%	± 3%	± 5%	± 10%	± 20%	+80%-20%	+100%-0%
CODE	F	G	H	J	K	M	Z	P

4. RATED VOLTAGE: Expressed in 1-digit-1-letter code for VDC and 2-digit code for VAC

VDC	4.0V	6.3V	10V	16V	25V	35V	50V	63V	80V	100V	160V	200V	250V	300V	350V	400V	450V	500V
CODE	0G	0J	1A	1C	1E	1V	1H	1J	1K	2A	2C	2D	2E	2F	2V	2G	2W	2H
VDC	520V	550	600	630V	700V	800V	850V	900V	1000V	1200V	1250V	1500V	1600V	1800V	2000V	2500V	3000V	3500V
CODE	2X	2Y	2R	2J	2S	2K	2T	2U	3A	3M	3B	3N	3C	3Q	3D	3E	3F	3V
VAC	125	180	200	220	230	250	275	280	305	320	350	370	400	440	450	500	600	700
CODE	12	18	20	22	23	25	27	28	30	32	35	37	40	44	45	50	60	70
VAC	800	900																
CODE	80	90																

5. LEAD CONFIGURATION : Expressed in 1-letter code

CODE	L	B	C	D	E	F	G	H	Y	T	U
LEAD TYPE											
CODE	A										
LEAD TYPE											

6. LEAD SPACE : Expressed in 2-digit or 1-digit-1-letter code

LEAD SPACE	3.0	3.5	4.0	4.5	5.0	5.5	6.0	6.5	7.0	7.5	8.0	8.5	9.0	9.5	10.0	12.5	15.0
CODE	03	3P	04	4P	05	5P	06	6P	07	7P	08	8P	09	9P	10	12	15
LEAD SPACE	17.5	20.0	22.5	25.0	27.5	30.0	32.5	35.0	37.5	36.5	42.5	52.5					
CODE	17	20	22	25	27	30	32	35	37	36	42	52					

7. LEAD FORMING PITCH : Expressed in 1-letter code

LEAD PITCH	5.0	7.5	10.0	12.5	15.0	17.5	20.0	22.5	25.0	27.5	30.0	35.0	37.5	Others	N/A
CODE	A	H	B	G	C	N	D	W	E	F	U	V	Z	X	L

8. LEAD LENGTH (Straight): Expressed in 1-letter code Taping

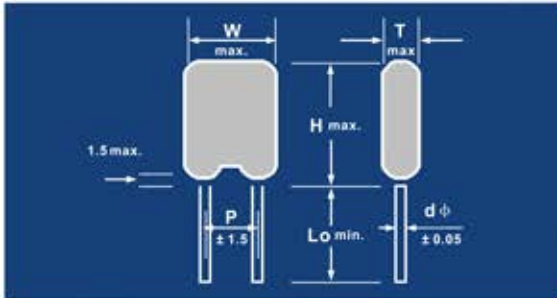
LEAD LENGTH	3.1	3.5	4.0	4.5	5.0	5.5	7.5	8.0	9.0	3.2	2.2	3.8	6.0	7.0	11.5	12.0	4.1
CODE	1	2	3	4	5	6	7	8	9	X	A	B	C	D	E	F	G
LEAD LENGTH	15.0	22.0	25.0	30.0	35.0	28.0	2.7	40.0	29.0	45.0	20.0	26.0	6.5	3.4	Taping	N/A	其他
CODE	H	J	K	M	N	P	Q	R	S	T	U	V	W	Y	T	L	0



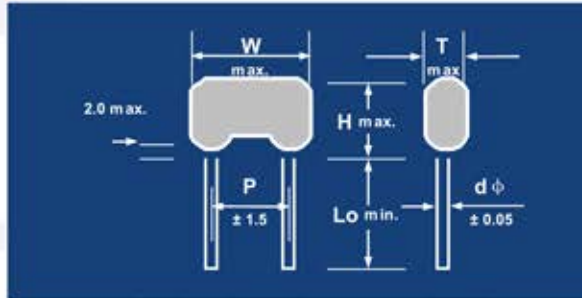
产品图示及尺寸公差

Unit : mm

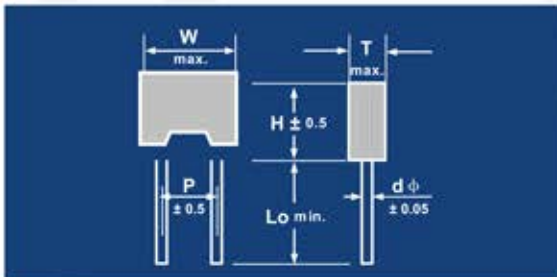
**1. Radial, Dipped, Inductive**  
直立式、含浸、有感型



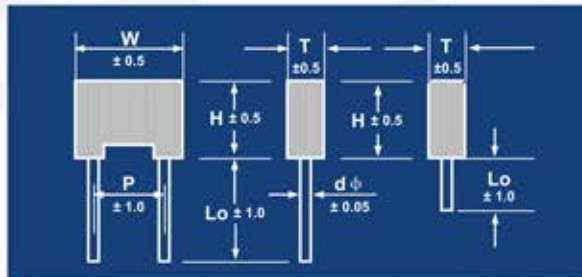
**2. Radial, Dipped, Non-Inductive**  
直立式、含浸、无感型



**3. Radial, Minibox**  
直立式、小型盒装



**4. Radial, Encapsulated**  
直立式、盒装



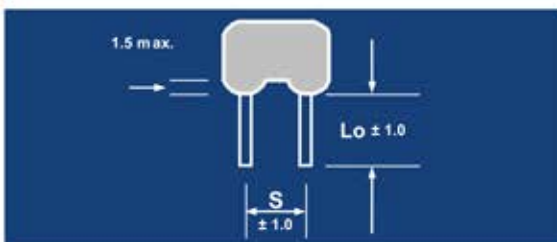
**5. Axial, Tubular**  
轴式、管状



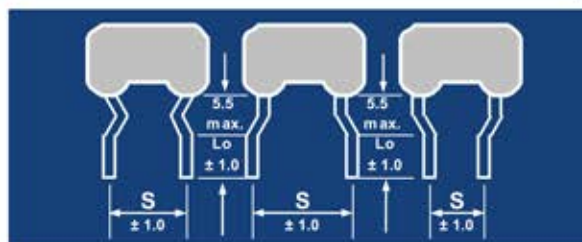
**6. Axial, Flat**  
轴式、扁平



**7. Straight Cut Lead** 直切脚



**8. Forming Lead** 弯切脚



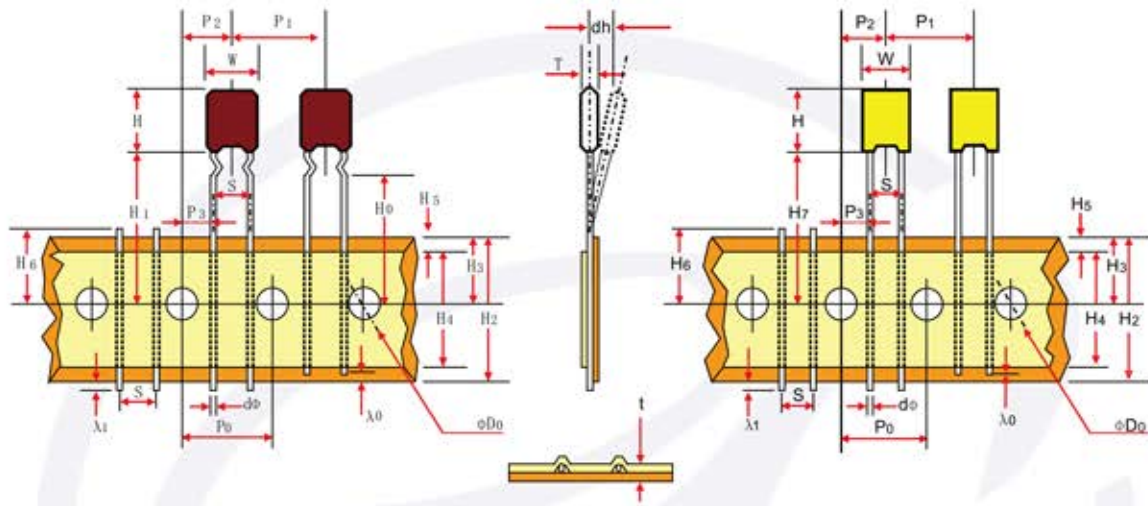
※ Unless otherwise specified. 特殊除外



编带尺寸

Forming Lead Taping / 弯脚型编带:

Straight Lead Taping / 直脚型编带:



Dimensions & Allowances / 各部尺寸及公差:

Unit: mm

Symbol	dh	H <sub>0</sub>	H <sub>1</sub>	H <sub>2</sub>	H <sub>3</sub>	H <sub>4</sub>	H <sub>5</sub>	H <sub>6</sub>	H <sub>7</sub>	
Dimension	0	16.0	20.0	18.0	9.0	12.5	3.0	11.0	16.5	19.5
Allowance	±0.5	±0.5	+0.75 -0.5	+1.0 -0.5	±1.5	min.	max.	max.	±0.3	±0.5

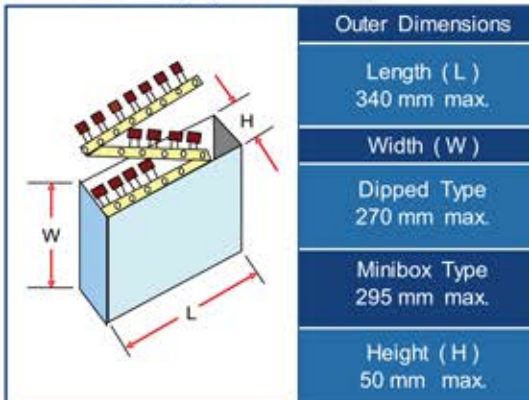
  

Symbol	P <sub>0</sub>	P <sub>1</sub>	P <sub>2</sub>	P <sub>3</sub>	λ <sub>0</sub>	λ <sub>1</sub>	S	t	d <sub>ψ</sub>	ψ D <sub>0</sub>
Dimension	12.7	12.7	6.35	3.85	7.0	2.0	5.0	0.7	0.5 or 0.6	4.0
Allowance	±0.3	±1.0	±1.3	±0.7	max.	max.	±1.0	±0.2	±0.05	±0.3

- Remarks:
1. Allowance of accumulated pitch: less than 1 mm at the sum of 20 pitches.
  2. Continuous empty components: less than 3 pcs.
  3. Total empty components in one AMMO box: less than 1%.

※ Unless otherwise Specified.

AMMO Packaging Box Details:



AMMO PACKAGING Quantity: ( 每盒标准包装数 )

Type	T max. (mm)	Pcs / Box
Dipped Capacitors Forming Lead Taping 包漆型电容器弯脚型编带	4.0	1,500
	6.0	1,000
	7.5	800
	8.5	600
Type	Case Type	Pcs / Bo
Minibox Capacitors (EMPE) Straight Lead Taping 小型盒装电容器 直脚型编带	BF01	2,500
	BF02	2,000
	BF07	1,250
	BF05 / BF06	1,100
	BF04	750